



240W Slim Three Phase Industrial DIN Rail with PFC Function

TDR-240 series

User's Manual



AS/NZS62368-1 UL61010 BS EN/EN61558



■ Features

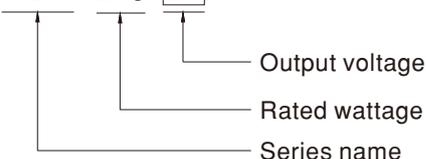
- Three-Phase 340 ~ 550VAC wide range input (Dual phase operation possible)
- 63mm slim width
- Built-in passive PFC function compliance to BS EN/EN61000-3-2
- High efficiency 92% and low power dissipation
- Protections: Short circuit / Overload / Over voltage / Over temperature
- Cooling by free air convection
- Full power between -30~+60°C
- Built-in constant current limiting circuit
- Can be installed on DIN rail TS-35/7.5 or 15
- UL61010(industrial control equipment)approved
- BS EN/EN61000-6-2(BS EN/EN50082-2) industrial immunity level
- DC OK relay contact
- 3 years warranty

■ Description

TDR-240 is one economical slim 240W Din rail power supply series, adapt to be installed on TS-35/7.5 or TS-35/15 mounting rails. The body is designed 63mm in width, which allows space saving inside the cabinets. The entire series adopts the full range AC input from 3 ψ 340VAC to 550VAC (Dual Phase operation possible) and conforms to BS EN/EN61000-3-2, the norm the European Union regulates for harmonic current. TDR-240 is designed with metal housing that enhances the unit's power dissipation. With working efficiency up to 92 %, the entire series can operate at the ambient temperature between -30°C and 70°C under air convection. It is equipped with constant current mode for over-load protection, fitting various inductive or capacitive applications. The complete protection functions and relevant certificates for industrial control apparatus (UL61010-1, UL61010-2-201, BS EN/EN61558-1, BS EN/EN61558-2-16, EAC TP TC 004 approved, and etc.) make TDR-240 a very competitive power supply solution for industrial applications.

■ Model Encoding

TDR - 240 - 24



■ Applications

- Industrial control system
- Semiconductor fabrication equipment
- Factory automation
- Electro-mechanical apparatus

■ GTIN CODE

MW Search: <https://www.meanwell.com/serviceGTIN.aspx>

File Name:TDR-240-SPEC 2022-03-18



240W Slim Three Phase Industrial DIN Rail with PFC Function

TDR-240 series

SPECIFICATION

MODEL		TDR-240-24	TDR-240-48																						
OUTPUT	DC VOLTAGE	24V	48V																						
	RATED CURRENT	10A	5A																						
	CURRENT RANGE	0 ~ 10A	0 ~ 5A																						
	RATED POWER	240W	240W																						
	RIPPLE & NOISE (max.) Note.2	100mVp-p	120mVp-p																						
	VOLTAGE ADJ. RANGE	24 ~ 28V	48 ~ 55V																						
	VOLTAGE TOLERANCE Note.3	± 1.0%	± 1.0%																						
	LINE REGULATION	± 0.5%	± 0.5%																						
	LOAD REGULATION	± 1.0%	± 1.0%																						
	SETUP, RISE TIME	2000ms, 60ms/400VAC 1500ms, 60ms/500VAC at full load																							
HOLD UP TIME (Typ.)	20ms / 400VAC 40ms / 500VAC at full load																								
INPUT	VOLTAGE RANGE Note.4	Three-Phase 340 ~ 550VAC (Dual phase operation possible in connecting L1,L3,FG or L2,L3,FG) or 480 ~ 780VDC																							
	FREQUENCY RANGE	47 ~ 63Hz																							
	POWER FACTOR (Typ.)	PF ≥ 0.53/400VAC PF ≥ 0.52/500VAC at full load																							
	EFFICIENCY (Typ.)	92%	92%																						
	AC CURRENT (Typ.)	0.69A/400VAC 0.6A/500VAC																							
	INRUSH CURRENT (Typ.)	COLD START 50A																							
	LEAKAGE CURRENT	<2mA / 530VAC																							
PROTECTION	OVERLOAD	105 ~ 130% rated output power Protection type : Constant current limiting, unit will hiccup after 3 sec.																							
	OVER VOLTAGE	30 ~ 36V	56 ~ 65V																						
	OVER TEMPERATURE	Shut down o/p voltage, recovers automatically after temperature goes down																							
FUNCTION	DC OK REALY CONTACT RATINGS (max.)	60VDC/0.3A, 30VDC/1A, 30VAC/0.5A resistive load																							
ENVIRONMENT	WORKING TEMP. Note.5	-30 ~ +70°C (Refer to "Derating Curve")																							
	WORKING HUMIDITY	20 ~ 95% RH non-condensing																							
	STORAGE TEMP., HUMIDITY	-40 ~ +85°C, 10 ~ 95% RH non-condensing																							
	TEMP. COEFFICIENT	± 0.05%/°C (0 ~ 60°C)																							
	VIBRATION	Component: 10 ~ 500Hz, 2G 10min./1cycle, 60min. each along X, Y, Z axes; Mounting: Compliance to IEC60068-2-6																							
	OPERATING ALTITUDE Note.6	5000 meters																							
SAFETY & EMC (Note 7)	OVER VOLTAGE CATEGORY	III; According to EN61558, EN50178, EN60664-1, EN62477-1, EN60204-1; altitude up to 2000 meters																							
	SAFETY STANDARDS	UL61010-1, UL61010-2-201, BS EN/EN61558-1, BS EN/EN61558-2-16, AS/NZS 62368.1, EAC TP TC 004 approved																							
	WITHSTAND VOLTAGE	I/P-O/P: 4.87KVAC I/P-FG: 2.4KVAC O/P-FG: 0.5KVAC O/P-DC OK: 0.5KVAC																							
	ISOLATION RESISTANCE	I/P-O/P, I/P-FG, O/P-FG: >100M Ohms / 500VDC / 25°C / 70% RH																							
	EMC EMISSION	<table border="1"> <thead> <tr> <th>Parameter</th> <th>Standard</th> <th>Test Level / Note</th> </tr> </thead> <tbody> <tr> <td>Conducted</td> <td>BS EN/EN55032(CISPR32)/BS EN/EN61204-3</td> <td>Class B</td> </tr> <tr> <td>Radiated</td> <td>BS EN/EN55032(CISPR32)/BS EN/EN61204-3</td> <td>Class B</td> </tr> <tr> <td>Harmonic Current</td> <td>BS EN/EN61000-3-2</td> <td>Class A</td> </tr> <tr> <td>Voltage Flicker</td> <td>BS EN/EN61000-3-3</td> <td>-----</td> </tr> </tbody> </table>			Parameter	Standard	Test Level / Note	Conducted	BS EN/EN55032(CISPR32)/BS EN/EN61204-3	Class B	Radiated	BS EN/EN55032(CISPR32)/BS EN/EN61204-3	Class B	Harmonic Current	BS EN/EN61000-3-2	Class A	Voltage Flicker	BS EN/EN61000-3-3	-----						
		Parameter	Standard	Test Level / Note																					
		Conducted	BS EN/EN55032(CISPR32)/BS EN/EN61204-3	Class B																					
		Radiated	BS EN/EN55032(CISPR32)/BS EN/EN61204-3	Class B																					
	Harmonic Current	BS EN/EN61000-3-2	Class A																						
	Voltage Flicker	BS EN/EN61000-3-3	-----																						
	EMC IMMUNITY	BS EN/EN55024, BS EN/EN61204-3																							
		<table border="1"> <thead> <tr> <th>Parameter</th> <th>Standard</th> <th>Test Level / Note</th> </tr> </thead> <tbody> <tr> <td>ESD</td> <td>BS EN/EN61000-4-2</td> <td>Level 4, 15KV air; Level 4, 8KV contact</td> </tr> <tr> <td>Radiated Field</td> <td>BS EN/EN61000-4-3</td> <td>Level 3</td> </tr> <tr> <td>EFT / Burst</td> <td>BS EN/EN61000-4-4</td> <td>Level 3</td> </tr> <tr> <td>Surge</td> <td>BS EN/EN61000-4-5</td> <td>Level 4, 2KV / Line-Line, Level 4, 4KV / Line-Earth</td> </tr> <tr> <td>Conducted</td> <td>BS EN/EN61000-4-6</td> <td>Level 3</td> </tr> <tr> <td>Magnetic Field</td> <td>BS EN/EN61000-4-8</td> <td>Level 4</td> </tr> </tbody> </table>			Parameter	Standard	Test Level / Note	ESD	BS EN/EN61000-4-2	Level 4, 15KV air; Level 4, 8KV contact	Radiated Field	BS EN/EN61000-4-3	Level 3	EFT / Burst	BS EN/EN61000-4-4	Level 3	Surge	BS EN/EN61000-4-5	Level 4, 2KV / Line-Line, Level 4, 4KV / Line-Earth	Conducted	BS EN/EN61000-4-6	Level 3	Magnetic Field	BS EN/EN61000-4-8	Level 4
		Parameter	Standard	Test Level / Note																					
ESD		BS EN/EN61000-4-2	Level 4, 15KV air; Level 4, 8KV contact																						
Radiated Field		BS EN/EN61000-4-3	Level 3																						
EFT / Burst		BS EN/EN61000-4-4	Level 3																						
Surge		BS EN/EN61000-4-5	Level 4, 2KV / Line-Line, Level 4, 4KV / Line-Earth																						
Conducted	BS EN/EN61000-4-6	Level 3																							
Magnetic Field	BS EN/EN61000-4-8	Level 4																							
Voltage Dips and Interruptions																									
BS EN/EN61000-4-11																									
> 95% dip 0.5 periods, 30% dip 25 periods > 95% interruptions 250 periods																									
OTHERS	MTBF	1534.9K hrs min. Telcordia SR-332(Bellcore); 215.6K hrs min. MIL-HDBK-217F (25°C)																							
	DIMENSION	63*125.2*113.5mm (W*H*D)																							
	PACKING	1Kg; 12pcs/13Kg/1.22CUFT																							
NOTE	<p>1. All parameters NOT specially mentioned are measured at 400VAC input, rated load and 25°C of ambient temperature.</p> <p>2. Ripple & noise are measured at 20MHz of bandwidth by using a 12" twisted pair-wire terminated with a 0.1uF & 47uF parallel capacitor.</p> <p>3. Tolerance : includes set up tolerance, line regulation and load regulation.</p> <p>4. Dual phase operation is allowed under certain derating to output load. Please refer to derating curves for details.</p> <p>5. Installation clearances : 40mm on top, 20mm on the bottom, 5mm on the left and right side are recommended when loaded permanently with full power. In case the adjacent device is a heat source, 15mm clearance is recommended.</p> <p>6. The ambient temperature derating of 3.5°C/1000m is needed for operating altitude higher than 2000m(6500ft).</p> <p>7. The power supply is considered a component which will be installed into a final equipment. The final equipment must be re-confirmed that it still meets EMC directives. For guidance on how to perform these EMC tests, please refer to "EMI testing of component power supplies." (as available on http://www.meanwell.com)</p> <p>※ Product Liability Disclaimer : For detailed information, please refer to https://www.meanwell.com/serviceDisclaimer.aspx</p>																								

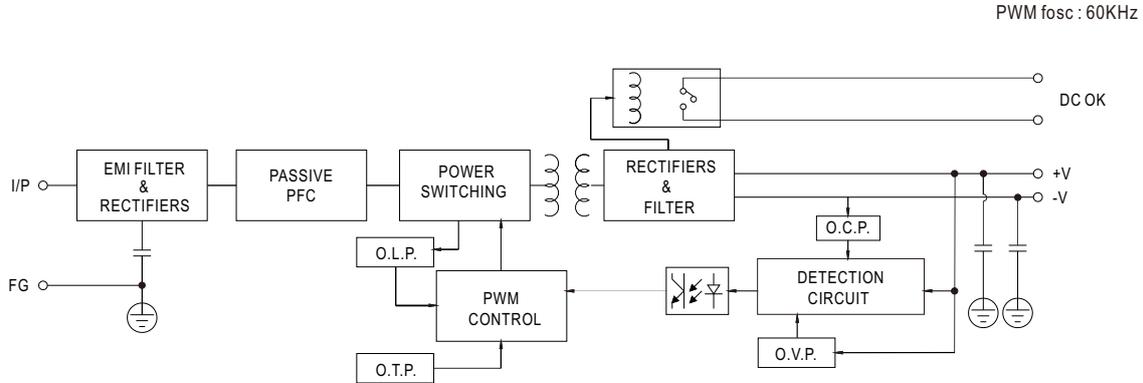
File Name:TDR-240-SPEC 2022-03-18



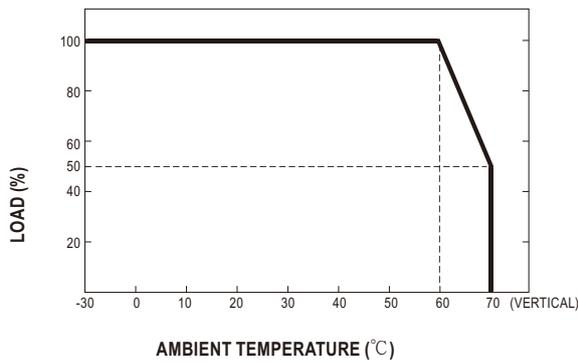
240W Slim Three Phase Industrial DIN Rail with PFC Function

TDR-240 series

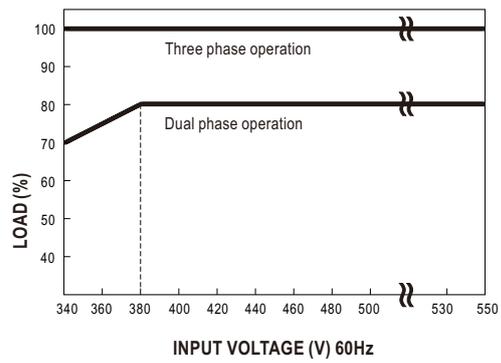
■ BLOCK DIAGRAM



■ DERATING CURVE



■ OUTPUT DERATING VS INPUT VOLTAGE



Note : When the dual phase input voltage is between 340~380Vac and ambient temperature is between -10°C~-30°C, the power supply may experience hiccup at cold start. The power supply will start up normally after 5~10 seconds.

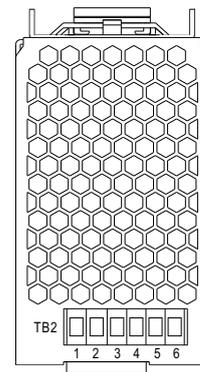
■ DC OK RELAY CONTACT

Contact Close	PSU turns on / DC OK.
Contact Open	PSU turns off / DC Fail.
Contact Ratings (max.)	30VDC/1A, 30VAC/0.5A resistive load.

Terminal Pin No. Assignment (TB2)

Pin No.	Assignment
5,6	DC OK Relay Contact

※ Please contact MEAN WELL for more details.



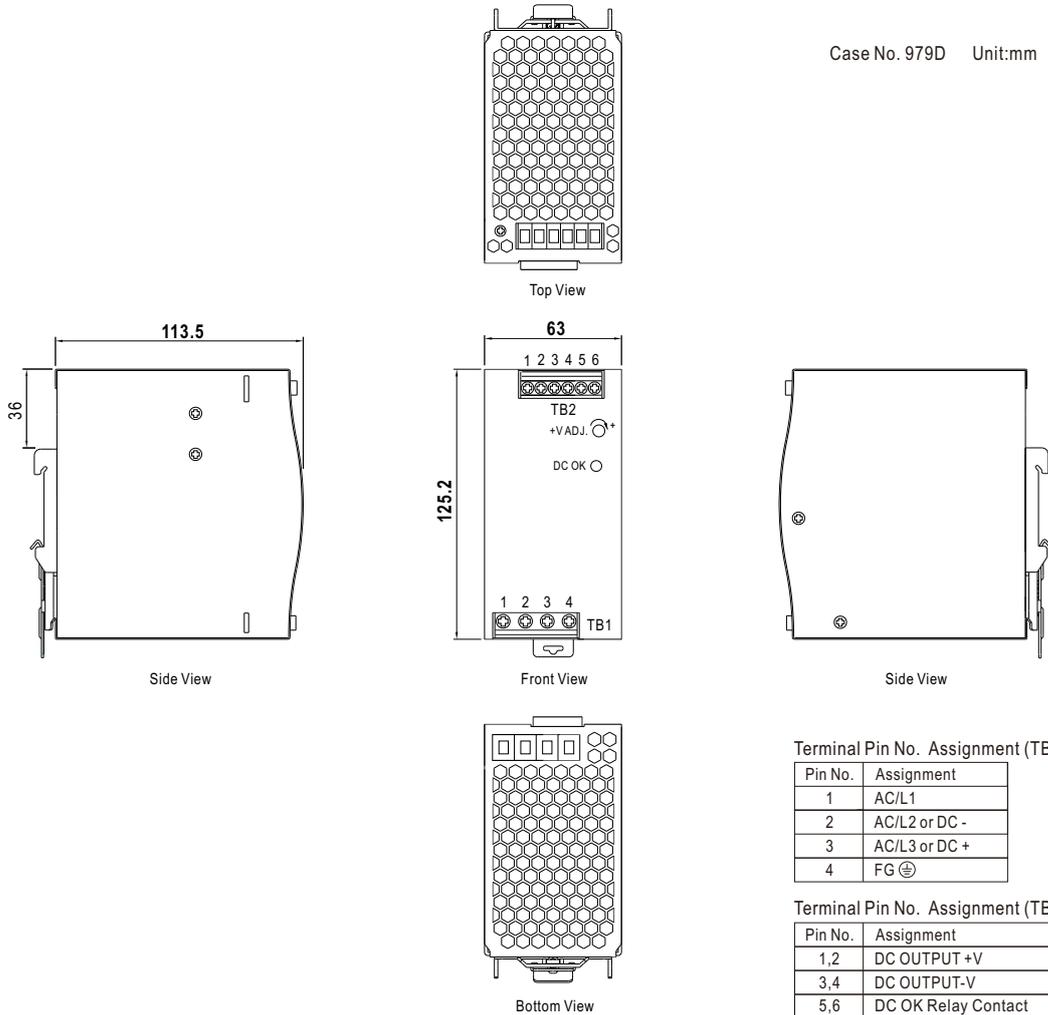


240W Slim Three Phase Industrial DIN Rail with PFC Function

TDR-240 series

MECHANICAL SPECIFICATION

Case No. 979D Unit:mm



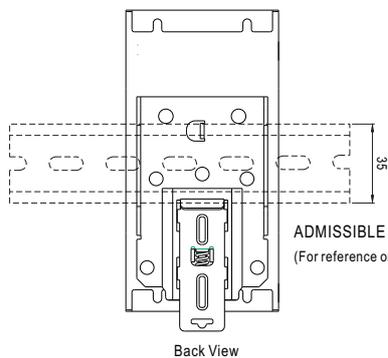
Terminal Pin No. Assignment (TB1)

Pin No.	Assignment
1	AC/L1
2	AC/L2 or DC -
3	AC/L3 or DC +
4	FG Ⓢ

Terminal Pin No. Assignment (TB2)

Pin No.	Assignment
1,2	DC OUTPUT +V
3,4	DC OUTPUT -V
5,6	DC OK Relay Contact

Installation Instruction



ADMISSIBLE DIN-RAIL: TS35/7.5 OR TS35/15
(For reference only. Not included with unit.)

This series fits DIN-RAIL TS35/7.5 or TS35/15.
For installation details, please refer to the Instruction manual.

Installation Manual

Please refer to : <http://www.meanwell.com/manual.html>

We are here for you. Addresses and Contacts.

Headquarter Switzerland:

Angst+Pfister Sensors and Power AG
Thurgauerstrasse 66
CH-8050 Zurich
Phone +41 44 877 35 00
sensorsandpower@angst-pfister.com

Office Germany:

Angst+Pfister Sensors and Power Deutschland GmbH
Edisonstraße 16
D-85716 Unterschleißheim
Phone +49 89 374 288 87 00
sensorsandpower.de@angst-pfister.com

Scan here and get an overview of personal contacts!



sensorsandpower.angst-pfister.com
